

# Grounding (Static Discharge) Reels

## SDR Series Grounding Reel

### Features:

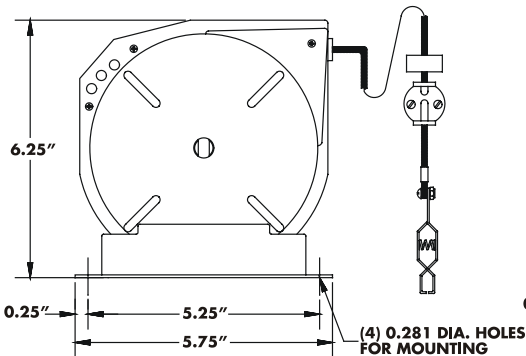
- NEC Standards
- Rugged all-steel construction
- Compact Design
- Mounts in any position (with spool perpendicular to Ground/Horizon)
- Ratchet and Cable Stop



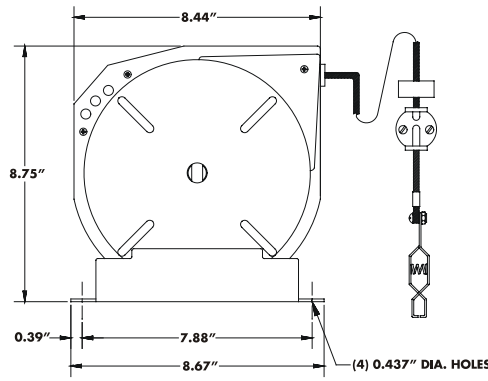
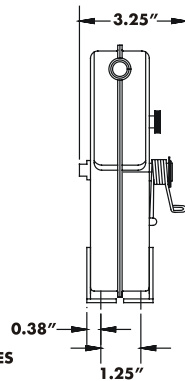
SDR25



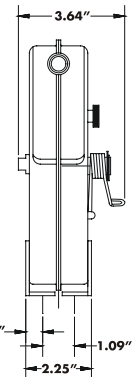
SDR50Y-0



SDR25-O



SDR50-O



Cable Length (ft.)	Ohms	Description	Part No.	Weight.	H" x W" x D"
25'	1.4	Single Cable	SDR25-O	8 lbs.	6.3" x 5.8" x 3.0"
50'	2.8	Single Cable	SDR50-O	12 lbs.	8.3" x 8.5" x 3.7"
50' 30' active travel plus 20' ea. branch	2.8	"Y" Cable	SDR50Y-O	12 lbs.	8.3" x 8.5" x 3.7"

## 1400 Series Grounding Reel



We have pre-configured our rugged 1400 Series PowerReels for grounding applications by equipping them with the cables listed in the table below.

- NEMA 4X standards
- Ball stop included
- 4-roller guide adjustable cable guide
- Auto locking ratchet for constant tension
- 100 amp grounding clamp included
- Resistance not exceeding 2 Ohms
- For drawing see Pg. 11

Cable Length (ft.)	Description	Part No.	Weight	H" x W" x D"
75'	12 AWG/1 Cond. SOW-A	142120107511	52 lbs.	14.9" x 13.0" x 13.5"
100'	12 AWG/1 Cond. SOW-A	142120110011	65 lbs.	14.9" x 13.0" x 13.5"
75'	Orange Nylon Jacket	146910107511	52 lbs.	14.9" x 13.0" x 13.5"
100'	Orange Nylon Jacket	146910110011	65 lbs.	14.9" x 13.0" x 13.5"